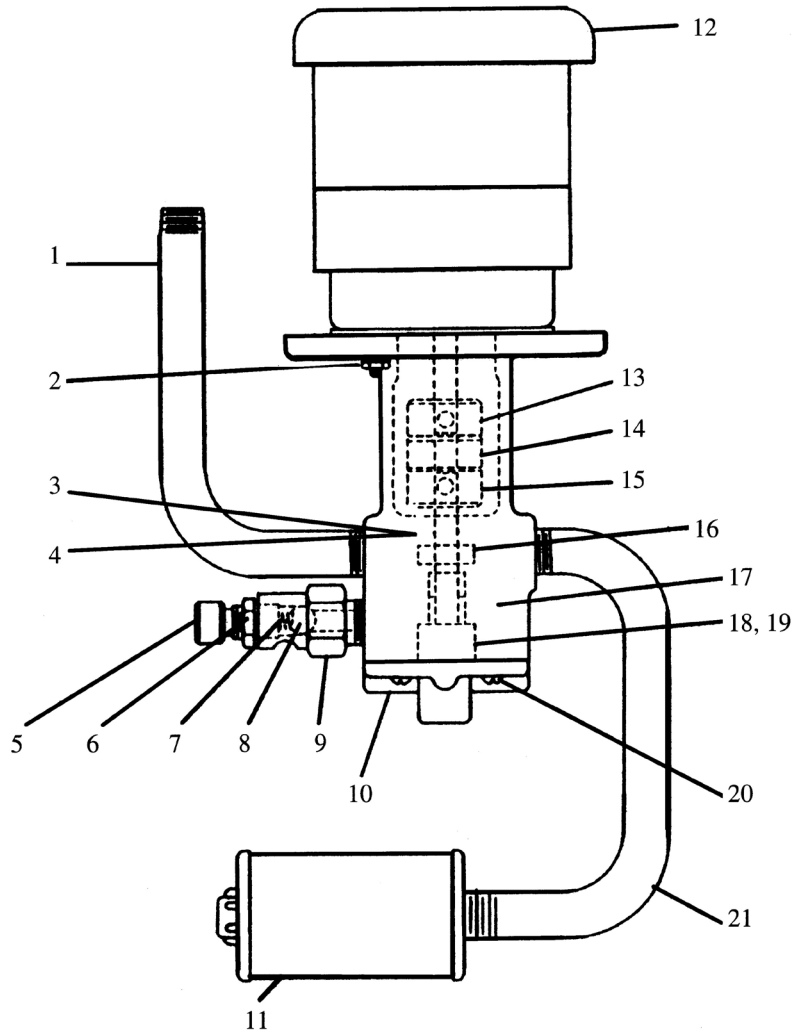




GEAR PUMPS PARTS LIST

SG1 AND SG2 PUMP ASSEMBLY

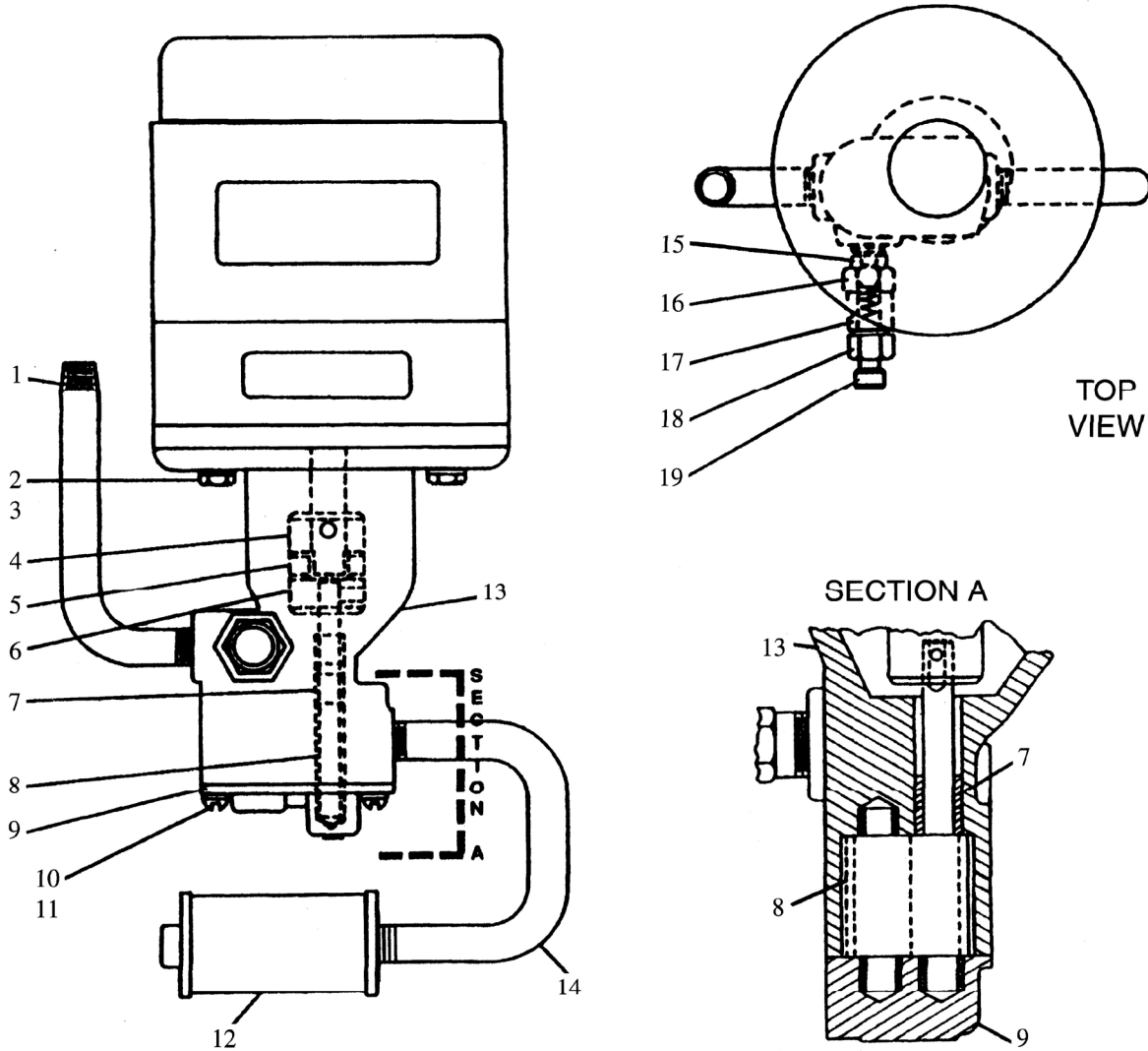


ITEM	PART NUMBER	DESCRIPTION	ITEM	PART NUMBER	DESCRIPTION
1	720-12339-12	Nipple, 3/8 NPT (SG1 ONLY)	11	742-07594	Filter assembly, gear pump intake
1	720-12163-12	Nipple, 3/8 NPT (SG2 ONLY)	12	715-11722	Motor cover (SG1 ONLY)
2	755-02579-12	Nut, hex keps, 10-32 NF (SG1 ONLY)	13	769-06556	Flex coupling, 5/16 bore (SG1 ONLY)
3	401-24389	Gear & shaft assembly (SG1 ONLY)	13	769-06557	Flex Coupling, 1/2 bore (SG2 ONLY)
3	401-24388	Gear & shaft assembly (SG2 ONLY)	14	769-06555	Spider flex coupling
4	760-02107	Bushing, iron	15	769-06558	Flex coupling, 3/8 bore
5	570-12311	Adjusting screw, 1/2-20	16	745-03237	Seal, oil, 3/8 bore, leather (SG2 ONLY)
6	755-02477-12	Nut, hex jam, 1/2-20	17	503-12160	Body (SG1 ONLY)
7	765-12150	Valve spring (SG1 ONLY)	17	503-14490	Body (SG2 ONLY)
7	765-11376	Valve spring (SG2 ONLY)	18	597-10034-07	Gear, idler, ground (SG1 ONLY)
8	760-00590	Ball, 3/8 diameter, steel	19	556-10031-08	Shaft, idler, gear, 3/8 diameter
9	595-12019	Body, relief valve	20	751-02550-12	M/S, round head, 10-24 NC x 1/2 LG
10	526-12555	Volute cover, cast iron	21	720-12913-12	Nipple, 3/8 NPT



GEAR PUMPS PARTS LIST

SG4 PUMP ASSEMBLY



ITEM	PART NUMBER	DESCRIPTION	ITEM	PART NUMBER	DESCRIPTION
1	702-22875-12	Bent nipple, 3/8 NPT	11	754-02622-12	Lock washer, 3/8 split
2	752-00563-12	C/S Hex hd L/W 3/8-16 x 1	12	742-07594	Filter assembly, gear pump intake
3	754-00564-12	Lockwasher, 3/8 split	13	504-22230	Pump body – cast iron
4	769-02506	Flex coupling, 5/8 bore	14	720-12338-12	Nipple, 3/8 NPT
5	769-02808	Flex coupling spider buna-n	15	595-12019	Body, relief valve, steel
6	769-02505	Flex Coupling, 3/8 bore	16	760-00590	Ball, 3/8 diameter, steel
7	760-02107	Bushing, iron	17	765-11376	Spring, relief valve, steel
8	401-12335	Gear and shaft assembly	18	755-02477-12	Nut, hex-jam, 1/2-20
9	526-14491	End plate – cast iron	19	570-12311	Adjusting screw 1/2-20
10	751-02550-12	M/S, rd hd 10-24, NC x 1/2 long			