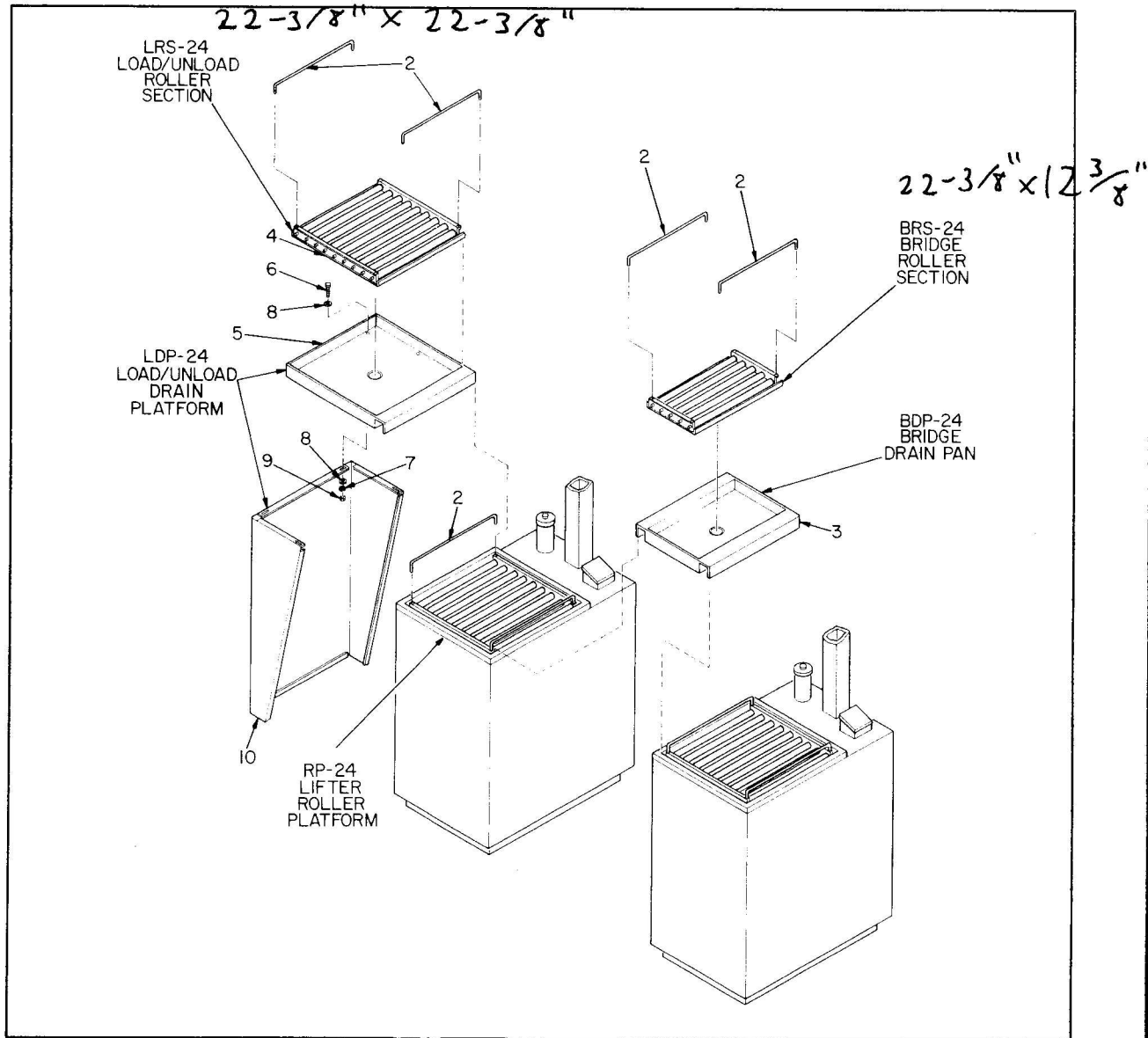


ASSEMBLY DIAGRAM FOR ROLLER CONVEYOR COMPONENTS



REF.	PART NO.	DESCRIPTION	QTY.
1	402-31282	Bridge Roller Section	1
2	647-31279	Stop Bar	2
3	435-31089	Bridge, Drain Pan	1
4	402-31281	Load/Unload Roller Section	1
5	435-31088	Load/Unload Drain Pan	1
6		Screw, Hex Hd, 10-24 NC x 3/4 Lg	4
7		Lock Washer, No. 10 Split	4

REF.	PART NO.	DESCRIPTION	QTY.
8		Flat Washer, No. 10 1/2 in. OD .200 ID	8
9		Nut, Hex, 10-24 NC	4
10	647-31087	Leg, Load/Unload Drain Pan	1

NOTE:

Plugs in drain pan (5) and bridge (3) may be removed for attachment of drain tubing.