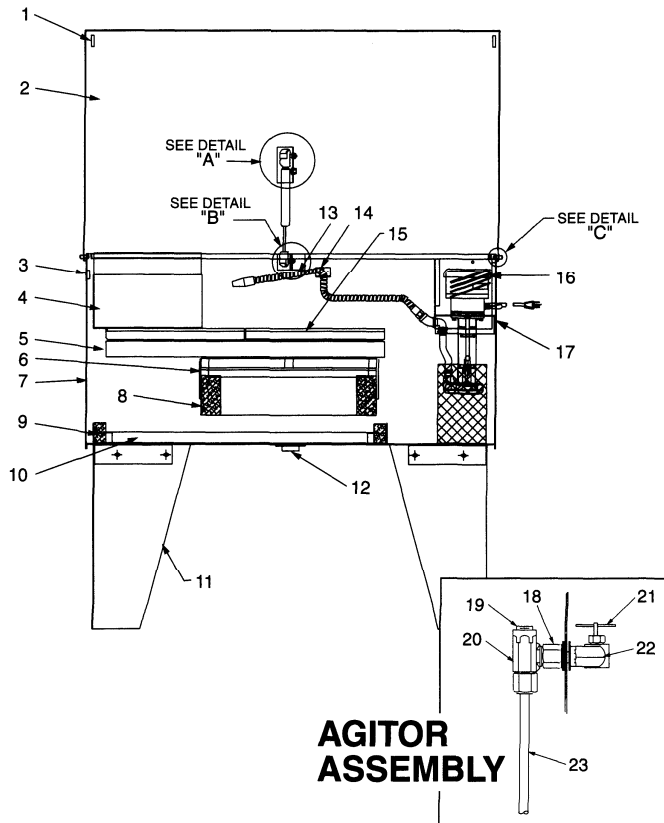


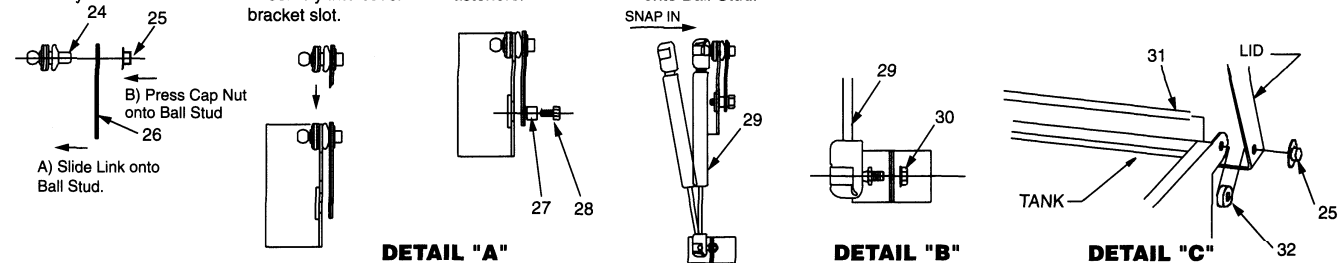
MODEL PL422



ITEM	PART NUMBER	DESCRIPTION
1	769-05830	Rubber Bumper, 1/2" dia
2	431-24666	Lid Assembly
3	757-04524	Hole Closer
4	645-36380	Basket
5	645-36373	Shelf, left
6	645-36356	Filter Basket
7	430-24798	Tank Assembly
8	742-07095	Filter Foam
9	742-09926	Filter Foam
10	432-36376	Sludge Tray
11	644-24815	Tank Leg
12	724-05658	Pipe Plug
13	769-05960	Flex Hose, wrap
14	774-05943	Snap Bushing
15	645-36361	Shelf, right
16	646-35266	Motor Housing Cover
17	757-04358	Grommet 1" dia slot
18	755-05562-12	Hex Nut 1/8-27
19	451-24939	Safety Plug Assembly
20	451-28660	Nipple Assembly
21	459-25941	Restrictor Valve Assembly
22	724-02964-43	Elbow, 1/8" NPT
23	582-27925G	Agitor Tube
24	597-36908-86	Gas Spring Stud
25	755-90109-11	Cap Nut
26	401-36183	Fuse Link Assembly Stamping
27	760-23677-81	Sleeve
28	752-02969-12	C/S Hex Hd 1/4-20 x 1/2
29	765-09853	Gas Spring
30	755-03128-12	Hex Nut
31	567-37234-81	Hinge Bar
32	760-90294-79	Spacer Tube

FUSIBLE LINK ASSEMBLY INSTRUCTIONS

- 1) Assemble Fuse-Link Assembly
- 2) Slide Fuse-Link Assembly into cover bracket slot.
- 3) Assemble bottom fasteners.
- 4) Snap Gas Spring onto Ball-Stud.



PUMP ASSEMBLY

ITEM	PART NUMBER	DESCRIPTION	ITEM	PART NUMBER	DESCRIPTION
1	314-06963	Motor, 1/50HP, 3000 RPM, TEFC A	11	744-20259	Gasket
2	728-25836	Flex Hose	12	543-16765-74	Intake Screen
3	756-07305	Retainer Ring	13	751-05621-81	M/S Truss
4	724-05896	Elbow	14	646-27506	Pump Motor
5	730-07036	Elbow, barbed	15	756-03128-12	Mounting Plate
6	733-05546	Hose Clamp	16	543-16772-74	Hex Nut
7	502M22478-74	Pump Body	17	525-26542-76	Slinger
8	729-06468	Tubing	18	543-16763-74	Impeller (1-1/2 dia)
9	751-04288-81	Hex Screw	19	753-02877-81	Disc
10	526-15486-74	Volute Cover Plate	20	647-20551	Set Screw
					Screen Cylinder

